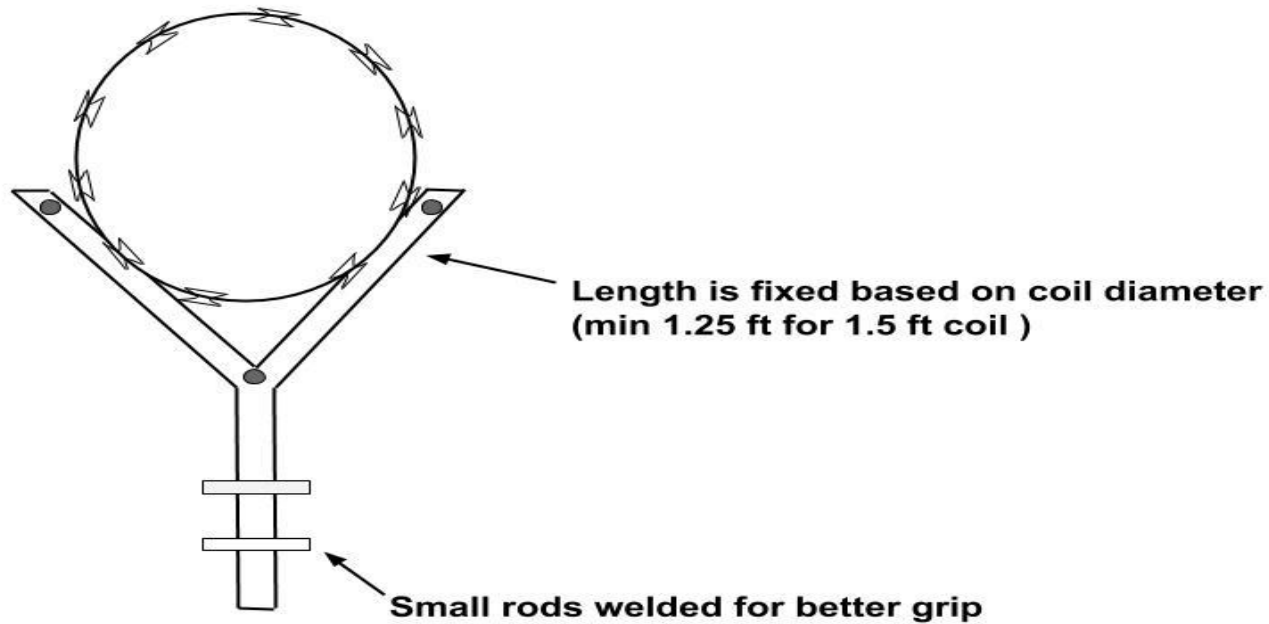




JUST FENCE

The Experts in Property Fencing

Angle should be designed in such a way that the coil sits perfectly in it.

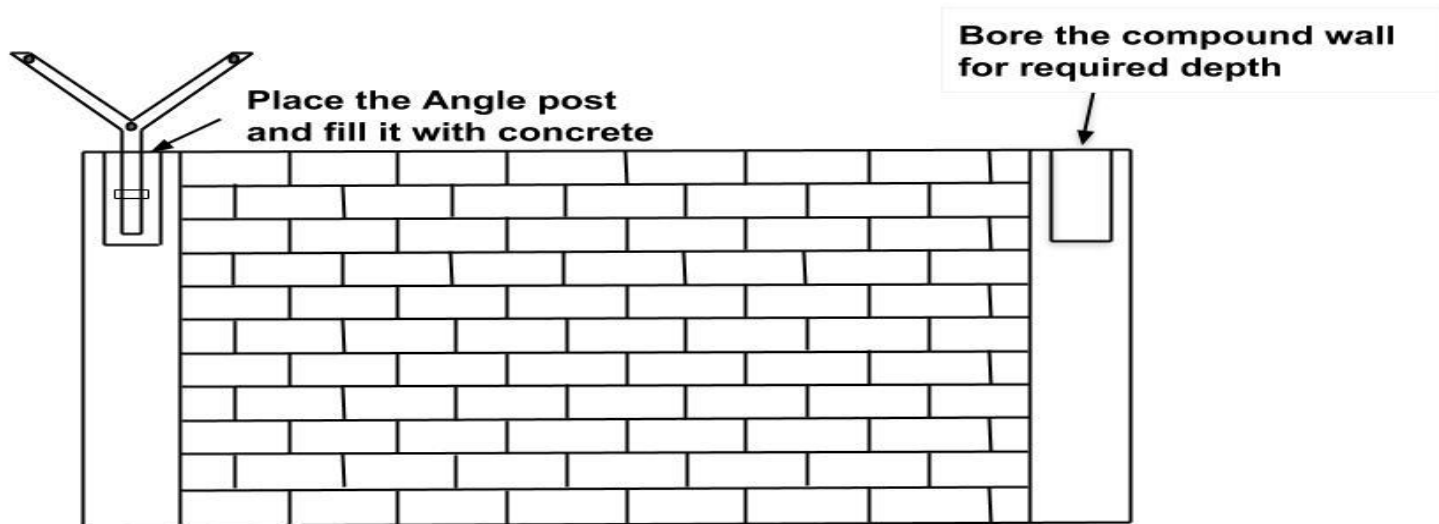




JUSTFENCE

The Experts in Property Fencing

Step 1: Bore the Compound wall to required depth and place the Angle post, followed by concreting.



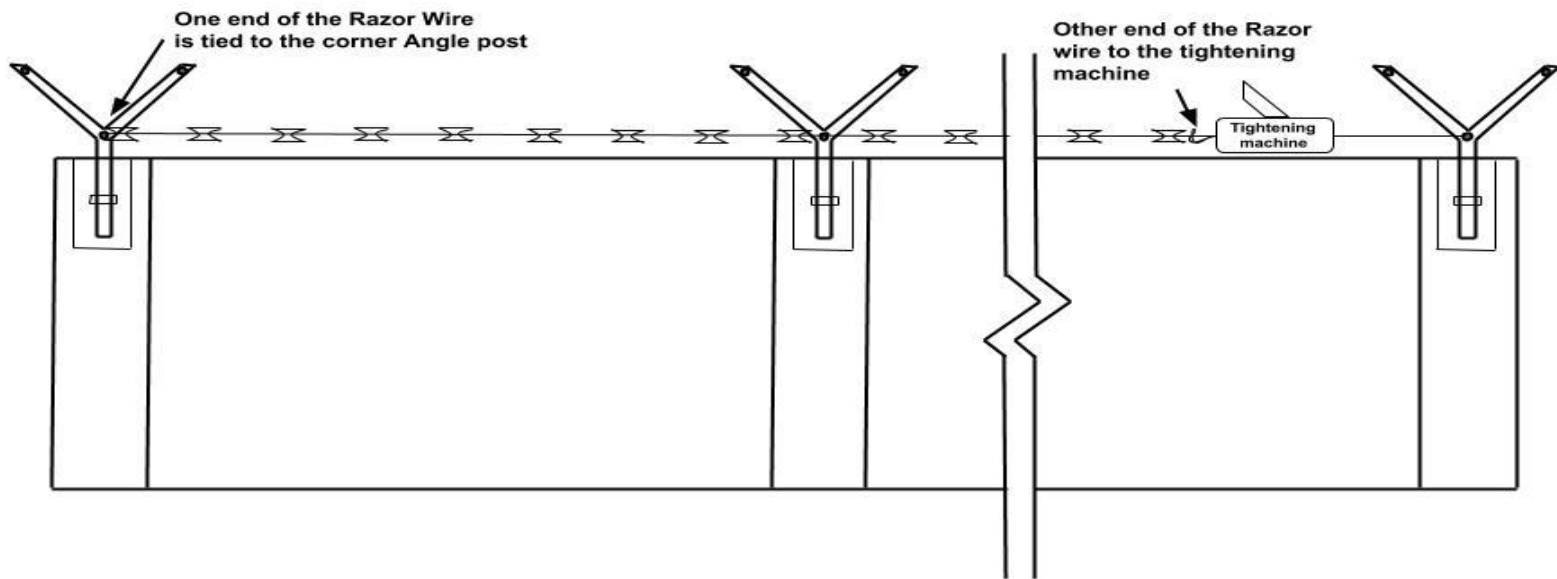
NOTE:The average spacing between the Angle post should be 8-10 ft



JUST FENCE

The Experts in Property Fencing

Step 3: In Case of Razor Wire.



NOTE: Concrete has to be cured 24 hours before tightening of razor wire



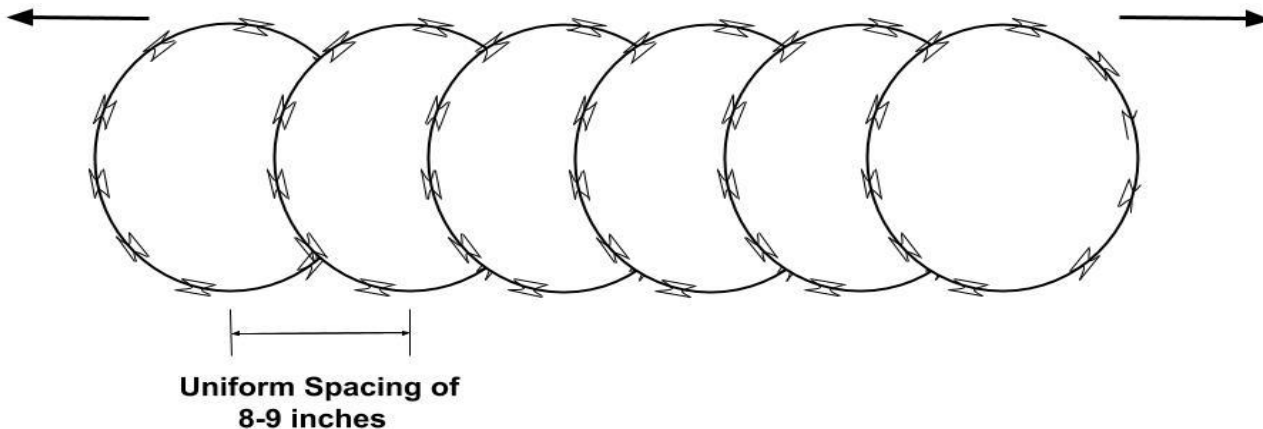
JUSTFENCE

The Experts in Property Fencing

Step 4: In Case of Concertina Razor Coil, Stretch open the coil such that the spacing between the turns is uniform.



Concertina Razor Coil

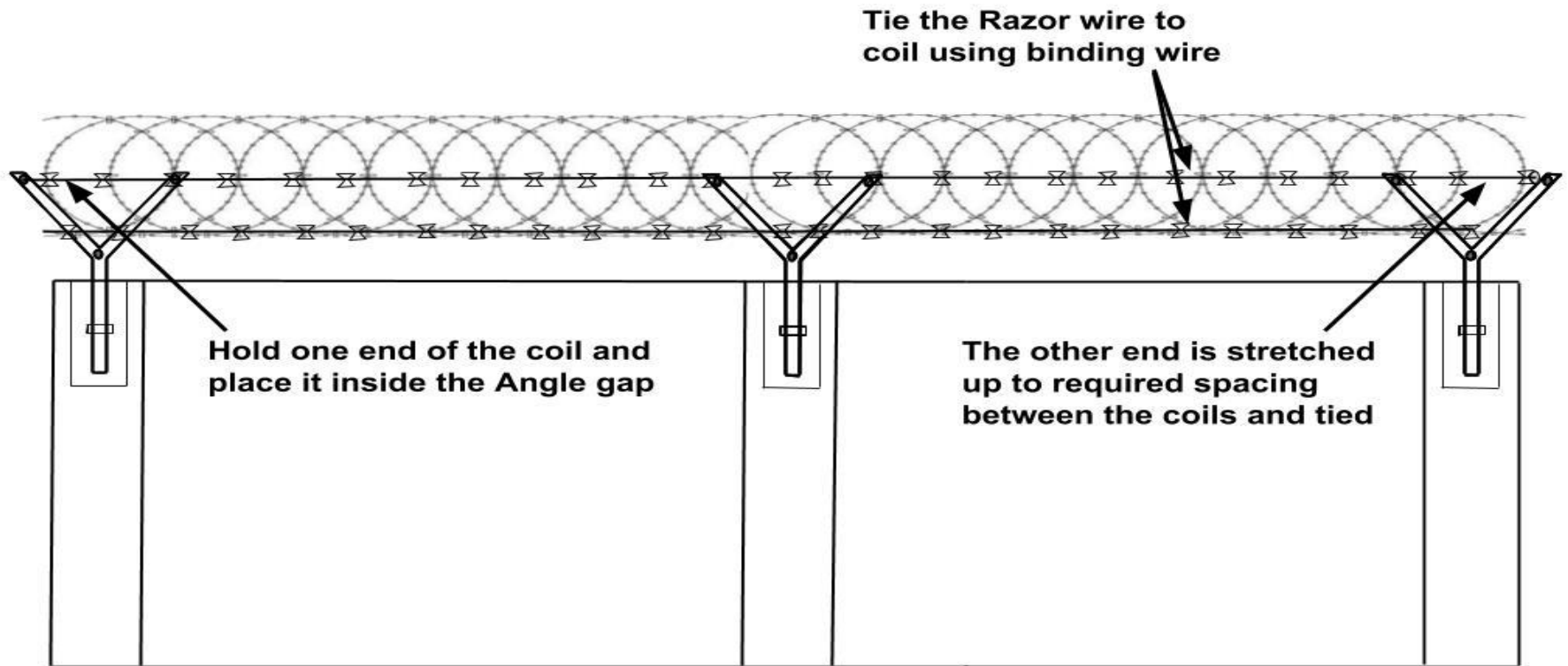




JUST FENCE

The Experts in Property Fencing

Step 5: Placing of the coil over the Angle posts.

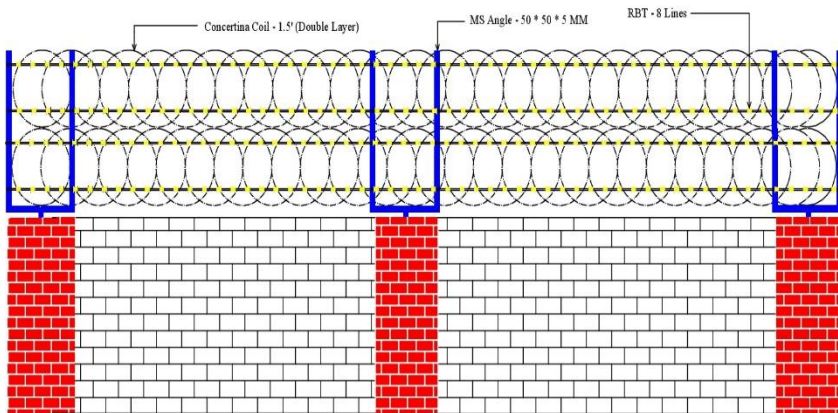


NOTE: Spacing between the coils must be adjusted for equal distance

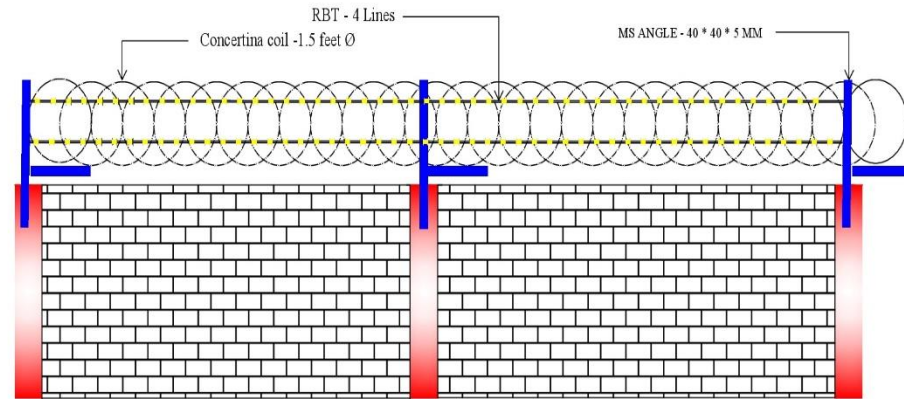
The Experts in Property Fencing

Different Methods of Concertina Coil fencing.

U- TYPE ANGLE + CONCERTINA COIL(Double Layer)



L- TYPE ANGLE + CONCERTINA COIL



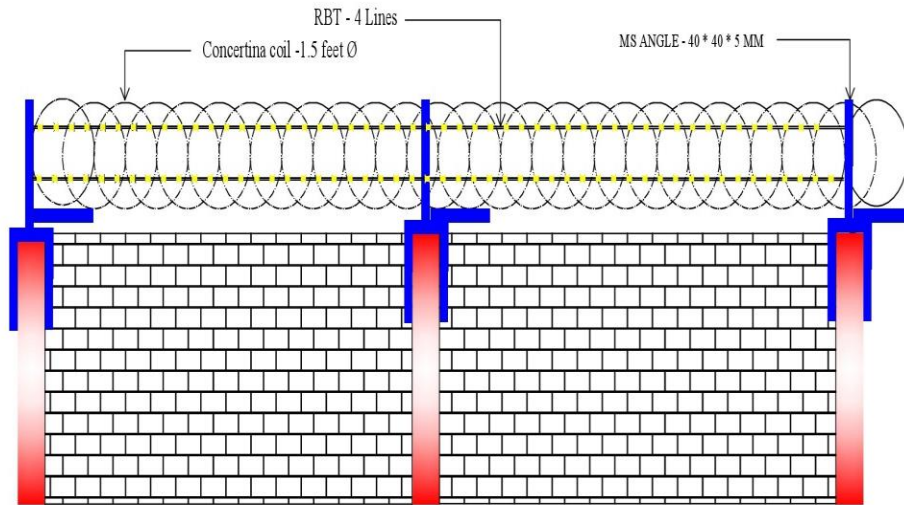


JUSTFENCE

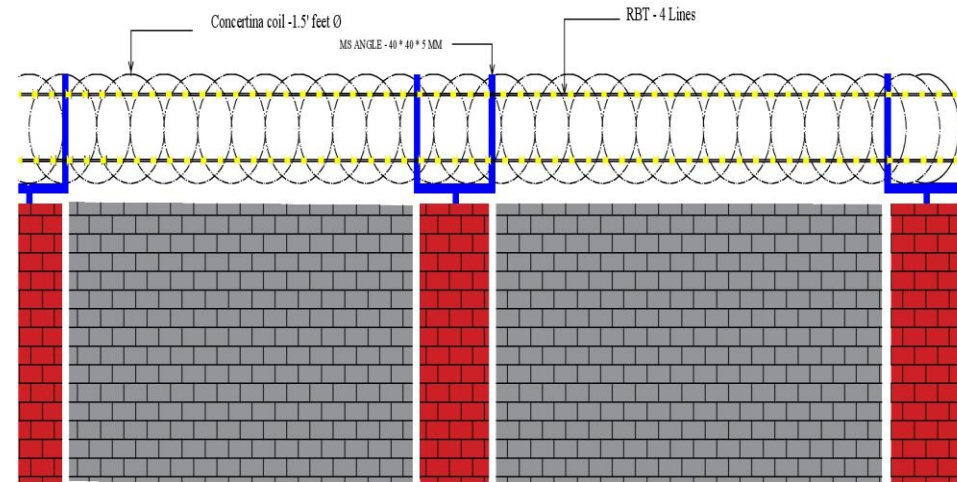
The Experts in Property Fencing

L-TYPE ANGLE+CONCERTINA COIL

Angle Fixing Using Nut and Bolt



U-TYPE ANGLE+CONCERTINA COIL(Single layer)





JUST FENCE

The Experts in Property Fencing

Y-TYPE ANGLE+CONCERTINA COIL

